

# RESILIENT SEAT POLYETHYLENE TAIL PN16

Version 1.0

**Clover Resilient Seat Polyethylene Tail Gate Valves are suitable for fusion welded polyethylene pipe installation in pressure and non-pressure water supply and sewerage applications.**

## SPECIFICATIONS

**Diameter Range:** 125 (DN100) and 180 (DN150)

**Nominal Pressure:** 1,600kPa

**End Connections:**

Polyethylene Tail AS/NZS4130 SDR11 PE100

**Maximum Operating Temperature:** 40°

**Product/Watermark Certification:**

Australian Certification Services - 25731

**Compliance:**

- AS/NZS2638.2 "Gate valves for waterworks purposes - Resilient seated"
- AS/NZS4158 "Thermal-bonded polymeric coatings on valves and fittings for water industry purposes"
- AS1646 "Elastomeric seals for waterworks purposes"
- AS1831 "Ductile cast iron"
- AS/NZS4130 "Polyethylene (PE) pipes for pressure applications"
- AS/NZS4020 "Testing of products for use in contact with drinking water"
- ISO5211 "Industrial Valves - Part-turn actuator attachments"

**WSAA Product Appraisal:** PA11/12

**WSAA Purchase Specification:**

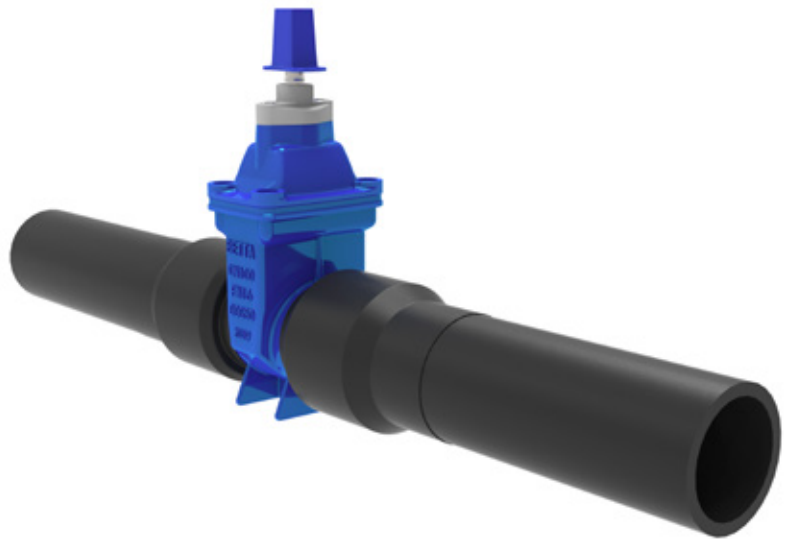
WSA PS278 - Gate Valves, Resilient Seated, with Integral Polyethylene (PE) Ends for Pressure Applications – Water Supply and Sewerage

**Options & Accessories:**

- Anti-clockwise and clockwise closing models available
- Handwheel
- Gearbox Operator (Spur & Bevel)
- ISO5211 Top Mounting Flange
- Lilac key-cap available for recycled water applications

**Recommended Specifications:**

- Gate valves shall be Clover resilient seated non-rising spindle type with integral polyethylene (PE) tail ends conforming to AS/NZS2638.2
- Gate valves shall close in an anti-clockwise / clockwise direction
- Gate valves shall be fitted with a keycap / handwheel
- Gate valve allowable operating pressure shall be 1,600kPa
- Protective coatings of gate valves shall be thermally applied polymeric type in accordance with AS/NZS4158



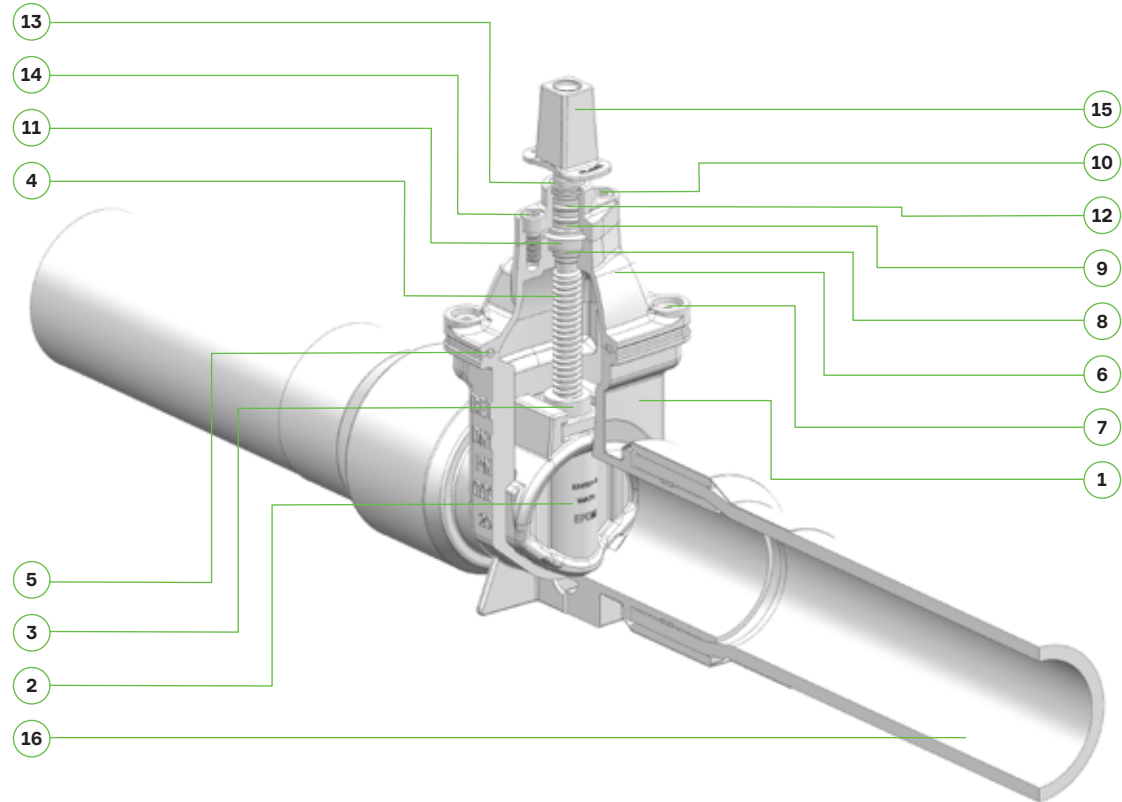
## FEATURES

- 10 year manufacturers warranty
- Suitable for electrofusion or butt-fusion welding
- Low operating torque for fast and efficient operation
- Full bore design eliminates debris build up
- Key cap or handwheel operable
- High strength and impact resistant ductile iron body
- Thermally bonded polymeric coating for long life corrosion protection
- Isolated 316SS stainless steel fasteners encapsulated with hot-melt coating for long-life corrosion protection
- Ductile iron wedge encapsulated with vulcanised EPDM elastomer and integrated guide rails
- Forged stainless steel stem with wedge stop and rolled threads for high strength
- Suitable for installation in either horizontal or vertical position

## APPLICATIONS

- Used to isolate flow within pipeline sections, pipeline equipment and offtakes
- Gate valves should not be used for the purposes of throttling or adjusting flow
- Potable and recycled water supply
- Irrigation and raw water
- Gravity and sewer rising mains
- Fire systems
- Stormwater and drainage
- Pressure and non-pressure
- Buried and above ground

# RESILIENT SEAT POLYETHYLENE TAIL PN16



## COMPONENTS

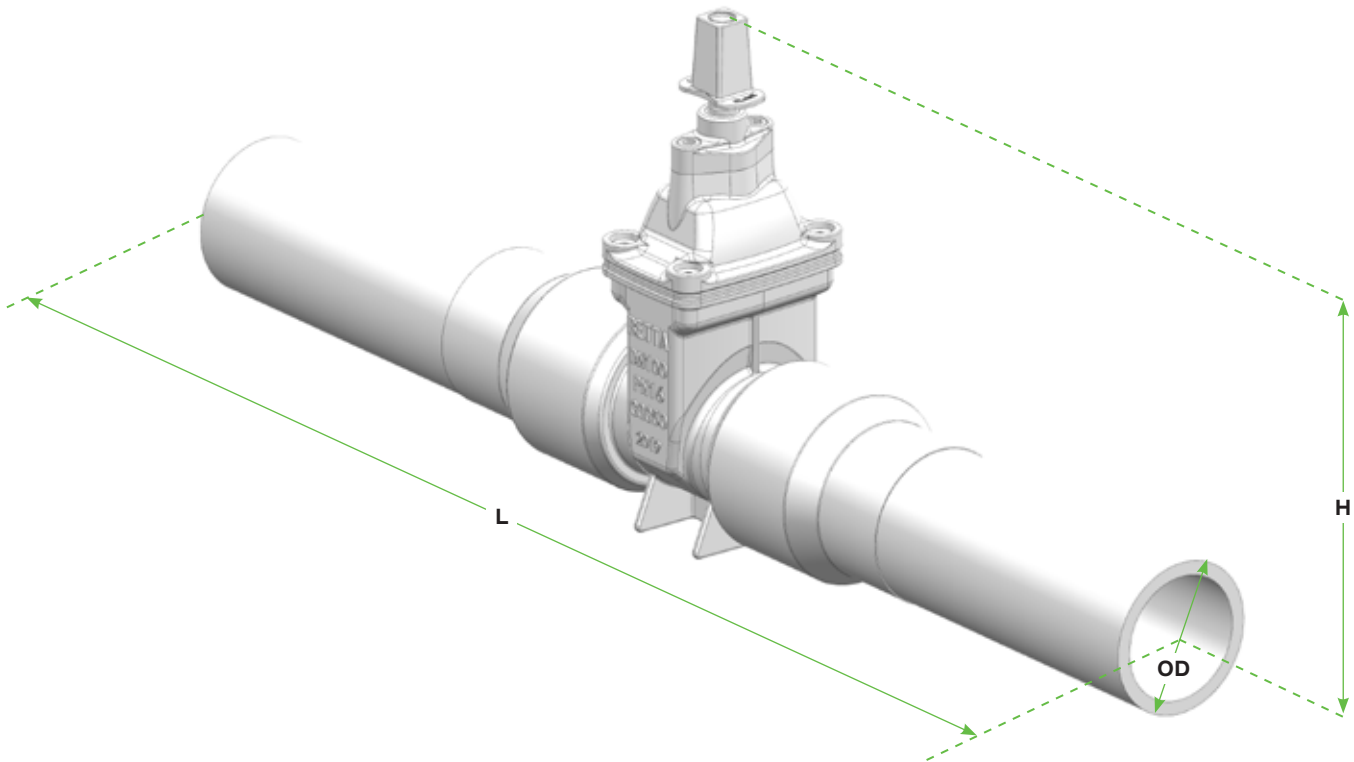
ITEM	PART NAME	MATERIAL	STANDARD/GRADE
1	Body	Ductile Iron/Polymeric Coating	AS1831 500-7/AS4158
2	Wedge	Ductile Iron (EPDM Encapsulated)	AS1831 500-7/AS1646 EPDM
3	Stem Nut	Copper Alloy (Dezincification Resistant)	AS1568 C48600
4	Spindle	Stainless Steel 431	ASTM A276/431
5	Body Gasket	EPDM Elastomer	AS1646/EPDM
6	Bonnet	Ductile Iron/Polymeric Coating	AS1831 500-7/AS4158
7	Body Bolt	Stainless Steel 316	ASTM A276/316
8	Thrust Washer	POM	
9	Thrust Collar	DN50-300 POM. DN375+ (Dezincification Resistant)	AS1568 C48600
10	Bonnet Bolt	Stainless Steel 316	ASTM A276/316
11	O'Ring	NBR Elastomer	AS1646/NBR
12	Seal Kit	EPDM Elastomer	AS1646/EPDM
13	Dust Cover	EPDM Elastomer	AS1646/EPDM
14	Seal Retainer Housing	Stainless Steel 316	ASTM A276/316
15	Spindle Key Cap	Ductile Iron	AS1831 GJS/500-7
16	Polyethylene Tail	Polethylene	AS/NZS4130/PE100 SDR11

# RESILIENT SEAT POLYETHYLENE TAIL PN16

SPECIFICATIONS	SYM	UNITS	DN100	DN150
PIPE OUTSIDE DIAMETER	OD	mm	125	180
LENGTH	L	mm	1120	1140
HEIGHT (CENTRE TO KEYCAP)	H	mm	342	430
WEIGHT OF UNIT (KEYCAP FITTED)		kg	25	47
TURNS TO CLOSE (APPROX)		Turns	21	32
ACTUAL TORQUE TO SEAL (APPROX)		Nm	60	110
MAXIMUM OPERATING TORQUE	MOT	Nm	100	150
ISO5211 TOP MOUNTING FLANGE			F10	F10
PRODUCT CODE (ANTI-CLOCKWISE CLOSE)			VGPT100	VGPT150
PRODUCT CODE (CLOCKWISE CLOSE)			VGPT100C	VGPT150C

PRESSURE	SYM	UNITS	
PRESSURE NOMINAL	PN	Nom	16
ALLOWABLE OPERATING PRESSURE	AOP	kPa	1,600
MAXIMUM ALLOWABLE OPERATING PRESSURE	MAOP	kPa	1,920
ALLOWABLE SITE TEST PRESSURE	ASTP	kPa	2,000
PRODUCTION TEST - BODY		kPa	1.5 x Allowable Operating Pressure (2,400 kPa)
PRODUCTION TEST - SEAT		kPa	1.1 x Allowable Operating Pressure (1,760 kPa)

All dimensions are in millimetres.



The products shown form part of our continuous improvement program and as such the product designs, specifications and materials may be changed without notice. All warranties relating to accuracy, completeness, or suitability for any particular purpose and all liability for any loss, damage or costs incurred relating to the use of this information are excluded.