

TAPPING BAND: GUNMETAL



PVC SERIES 1&2, POLYETHYLENE, GRP,
AC & GAL STEEL PIPELINE SYSTEMS

Clover gunmetal tapping bands are manufactured to AS4793 and AS/NZS4129 for use in pressurised water applications. Tapping bands allow for the connection of water service pipes to a pipeline.



FEATURES

- Options available to suit a wide range of pipe materials including PVC, Polyethylene, GRP and AC.
- Highest Quality Materials – Australian Standards Certified.
- Available with 20mm BSP to 50mm BSP Threaded Connections.
- Full circle design dezincification resistant (DZR) Gunmetal Body.
- 316 Stainless Steel Fasteners with Anti-Seize coating for anti-gawling protection.
- Extensive inventory available for immediate delivery. Full range of associated ferrules, ball valves and accessories available.

APPLICATIONS

Suitable for above and below ground water and wastewater applications. Clover Gunmetal tapping bands are designated for use on flexible pipelines (Type F).

TECHNICAL DATA

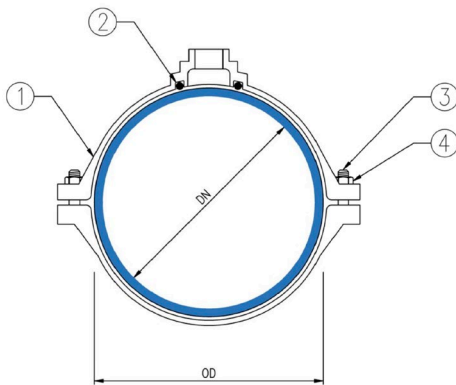
Size Range:	Series 2 OPVC, MPVC, UPVC, GRP & AC Pipelines: DN100 to DN450 Series 1 OPVC, MPVC, UPVC & Steel Pipelines: DN50 to DN375 Polyethylene Pipelines: DN63 to DN400
Allowable Operating Pressure:	1600kPa
Maximum Temperature:	40°
Product Standards:	AS/NZS4793 – Mechanical Tapping Bands for waterworks purposes. AS/NZS4129 – Fittings for polyethylene (PE) pipes for pressure applications. AS/NZS 4020 – Testing of products for use in contact with drinking water. WSA PS-310 – Tapping Bands: Mechanical for pressure applications – Water supply. WSA PS-327 – Tapping Bands: Mechanical for Use with Polyethylene (PE) Mains for Pressure Applications – Water Supply.
Product Licence:	3003 (Australian Certification Services)

TAPPING BAND: GUNMETAL



PVC SERIES 1&2, POLYETHYLENE, GRP,
AC & GAL STEEL PIPELINE SYSTEMS

COMPONENTS



ITEM	PART NAME	MATERIAL
1	Body	Gunmetal
2	Gasket	Nitrile Rubber (NBR) AS1646
3	Bolt	316 Stainless Steel
4	Hex Nut	316 Stainless Steel with Anti-Seize Coating

SPECIFICATIONS

SERIES 2 (OPVC, MPVC, UPVC, GRP & AC PIPELINES)

PRODUCT CODES

DN	OD	20BSP	25BSP	32BSP	40BSP	50BSP
100	122	TCBAC100020	TCBAC100025	TCBAC100032	TCBAC100040	TCBAC100050
150	177	TCBAC150020	TCBAC150025	TCBAC150032	TCBAC150040	TCBAC150050
200	232	TCBAC200020	TCBAC200025	TCBAC200032	TCBAC200040	TCBAC200050
225	259	TCBAC225020	TCBAC225025	TCBAC225032	TCBAC225040	TCBAC225050
250	286	TCBAC250020	TCBAC250025	TCBAC250032	TCBAC250040	TCBAC250050
300	345	TCBAC300020	TCBAC300025	TCBAC300032	TCBAC300040	TCBAC300050
375	426	TCBAC375020	TCBAC375025	TCBAC375032	TCBAC375040	TCBAC375050
450	507	TCBAC450020	TCBAC450025	TCBAC450032	TCBAC450040	TCBAC450050

All dimensions are quoted in millimetres.

TAPPING BAND: GUNMENTAL



PVC SERIES 1&2, POLYETHYLENE, GRP,
AC & GAL STEEL PIPELINE SYSTEMS

SPECIFICATIONS

SERIES 1 (OPVC, MPVC, UPVC & STEEL PIPELINES)

PRODUCT CODES

DN	OD	20BSP	25BSP	32BSP	40BSP	50BSP
50	60	TCBP050020	TCBP050025	-	-	-
80	89	TCBP080020	TCBP080025	TCBP080032	TCBP080040	TCBP080050
100	114	TCBP100020	TCBP100025	TCBP100032	TCBP100040	TCBP100050
150	160	TCBP150020	TCBP150025	TCBP150032	TCBP150040	TCBP150050
200	225	TCBP200020	TCBP200025	TCBP200032	TCBP200040	TCBP200050
225	250	TCBP225020	TCBP225025	TCBP225032	TCBP225040	TCBP225050
250	280	TCBP250020	TCBP250025	TCBP250032	TCBP250040	TCBP250050
300	315	TCBP300020	TCBP300025	TCBP300032	TCBP300040	TCBP300050
375	400	TCBP375020	TCBP375025	TCBP375032	TCBP375040	TCBP375050

All dimensions are quoted in millimetres.

POLYETHYLENE

PRODUCT CODES

DN	OD	20BSP	25BSP	32BSP	40BSP	50BSP
63	63	TCBPE063020	TCBPE063025	-	-	-
90	90	TCBPE090020	TCBPE090025	TCBPE090032	TCBPE090040	TCBPE090050
125	125	TCBPE125020	TCBPE125025	TCBPE125032	TCBPE125040	TCBPE125050
160	160	TCBPE160020	TCBPE160025	TCBPE160032	TCBPE160040	TCBPE160050
180	180	TCBPE180020	TCBPE180025	TCBPE180032	TCBPE180040	TCBPE180050
225	225	TCBPE225020	TCBPE225025	TCBPE225032	TCBPE225040	TCBPE225050
250	250	TCBPE250020	TCBPE250025	TCBPE250032	TCBPE250040	TCBPE250050
280	280	TCBPE280020	TCBPE280025	TCBPE280032	TCBPE280040	TCBPE280050
315	315	TCBPE315020	TCBPE315025	TCBPE315032	TCBPE315040	TCBPE315050
400	400	TCBPE400020	TCBPE400025	TCBPE400032	TCBPE400040	TCBPE400050

All dimensions are quoted in millimetres.

The products shown form part of Clover's continuous improvement program and as such the product designs, specifications and materials may change without notice.

All warranties relating to accuracy, completeness, or suitability for any particular purpose and all liability for any loss, damage or costs incurred relating to the use of this information are excluded.

© Clover Pipelines Pty Ltd. All Rights Reserved.