

# UNRESTRAINED MECHANICAL COUPLING



PVC, GRP, DUCTILE IRON AC  
& STEEL PIPELINE SYSTEMS

**Clover unrestrained mechanical couplings comply with AS/NZS 4998 for water and wastewater applications.**



## FEATURES

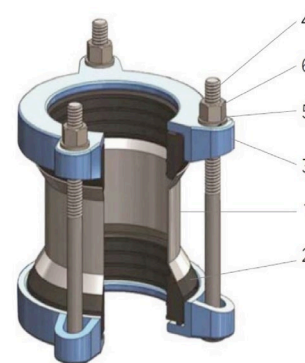
- Clover's high strength 316 stainless steel mechanical couplings join a wide range of pipe materials and can be used to join pipes with equal or differing outside diameters (range up to 27mm). This makes the coupling ideal for joining PVC-O, PVC-M, PVC-U, GRP, ductile iron, asbestos cement, and steel.
- Our couplings are manufactured with a lightweight 316 Stainless Steel barrel and fasteners and feature wedge shape EPDM Rubber Seals.
- Three bolt coupling design up to DN150 for fast field installation.
- Can be installed without disassembling which makes installation faster and simpler.
- Captive bolt head for one spanner operation, simplifying field assembly.
- Anti-Seize Coated nuts to prevent gawling.

## APPLICATIONS

The Clover unrestrained mechanical coupling range is suitable for connecting and repairing cold water piping systems. This product range does not provide longitudinal thrust restraint and is not recommended for use on polyethylene pipe.

## TECHNICAL DATA

Size Range:	DN80 - DN600
Allowable Operating Pressure:	1600kPa
Maximum Temperature:	60°
Certifications:	AS/NZS 4998:2009 AS/NZS 4020 Product License OMK30060 WSAA Appraisal PA1728



## COMPONENTS

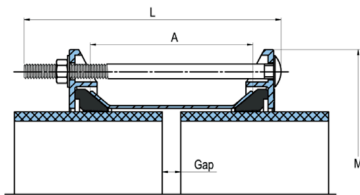
ITEM	PART NAME	MATERIAL
1	Barrel	316 Stainless Steel
2	Seal	EPDM AS1646
3	Flange	Ductile Iron AS1831 Polymeric Coated
4	Bolt	316 Stainless Steel or Galvanised Steel
5	Hex Nut	316 Stainless Steel with Anti-Seize Coating or Galvanised Steel
6	Washer	316 Stainless Steel or Galvanised Steel

# UNRESTRAINED MECHANICAL COUPLING



PVC, GRP, DUCTILE IRON AC  
& STEEL PIPELINE SYSTEMS

## SHORT SERIES



DN	RANGE	A (BARREL)	L	M	# BOLTS	NOMINAL SETTING GAP	MAXIMUM DEFLECTION EACH END (°)	CODE
80	88-103	101	210	216	3	20	3	DGVPC080SB
100	108-132	121	210	243	3	20	3	DGVPC100SB
150	158-182	136	210	304	3	25	3	DGVPC150SB

## LONG SERIES

DN	RANGE	A (BARREL)	L	M	# BOLTS	NOMINAL SETTING GAP	MAXIMUM DEFLECTION EACH END (°)	CODE
80	88-103	176	270	216	3	20	3	DGVPC080
100	108-132	176	270	243	3	20	3	DGVPC100
150	158-182	176	270	304	3	25	3	DGVPC150
200	214-238	176	285	353	5	35	3	DGVPC200
225	242-269	176	285	397	5	35	3	DGVPC225
250	270-295	176	285	417	6	35	3	DGVPC250
300	330-356	216	340	481	6	35	3	DGVPC300
375	400-429	216	340	565	8	35	3	DGVPC375
450	488-512	216	340	636	10	35	1.5	DGVPC450
500	540-565	216	340	703	12	35	1.5	DGVPC500
600	656-680	216	340	818	14	35	1.5	DGVPC600

All fasteners supplied as M16. All dimensions are quoted in millimetres.  
Contact Clover for information on additional sizes not shown on this data sheet.

The products shown form part of Clover's continuous improvement program and as such the product designs, specifications and materials may change without notice.

All warranties relating to accuracy, completeness, or suitability for any particular purpose and all liability for any loss, damage or costs incurred relating to the use of this information are excluded.

© Clover Pipelines Pty Ltd. All Rights Reserved. 2019