

SPRING HYDRANT



PVC, GRP, DUCTILE IRON & STEEL PIPELINE SYSTEMS



Clover spring hydrants comply with AS/NZS 3952 for potable and non-potable water applications.

FEATURES

- High strength and impact resistant body and yoke manufactured from ductile iron.
- Thermally bonded polymeric coating for long life corrosion protection.
- Isolated stainless steel fasteners for corrosion protection.
- Light weight environmentally friendly design for safe and simple installation.
- Hydrostatically factory tested to guarantee field performance.

APPLICATIONS

Clover spring hydrants are for use in above and below ground potable and non potable water applications. The valve provides access to a pipeline via a standpipe for fire fighting, flushing and scouring purposes.

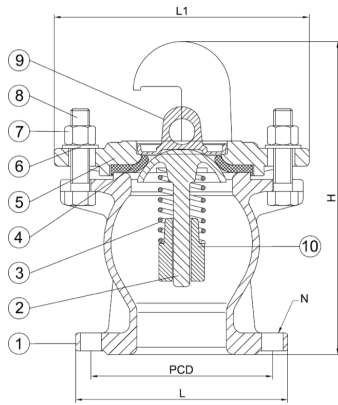
TECHNICAL DATA

Size Range:	DN80-DN100
Allowable Operating Pressure:	1600kPa
Maximum Temperature:	40°C
Connections:	AS4087 Fig B5
Certifications:	AS/NZS3952 AS/NZS4020 Product Liscence OMK22026 WSAA Appraisal PA11/28

SPRING HYDRANT



PVC, GRP, DUCTILE IRON & STEEL PIPELINE SYSTEMS



COMPONENTS

ITEM	PART NAME	MATERIAL
1	Body	Ductile Iron Fusion Coat AS/NZS4158
2	Dome	Aluminium Bronze
3	Spring	316 Stainless Steel
4	Seat Gasket	EPDM AS1646
5	Yoke	Ductile Iron Fusion Coat AS/NZS4158
6	Washer	316 Stainless Steel
7	Hex Nut	316 Stainless Steel
8	Bolt	316 Stainless Steel
9	Dust Cover	PVC
10	Support Ring*	316 Stainless Steel

* Removable support ring Swab hydrant only

STANDARD HYDRANT

DN	H	L	L1	N	PCD	KG	POTABLE	RECYCLED
80	264	143	216	4X18	146	11	VH080	VH080L
100	264	166	216	4X18	178	13	VH100	VH100L

SWAB HYDRANT

DN	H	L	L1	N	PCD	KG	POTABLE	RECYCLED
80	264	143	216	4X18	146	11	VH080S	VH080SL
100	264	166	216	4X18	178	13	VH100S	VH100SL

All fasteners supplied as M16. All dimensions are quoted in millimetres.
Contact Clover for information on additional products not shown on this data sheet.

The products shown form part of our continuous improvement program and as such the product designs, specifications and materials may be changed without notice. All warranties relating to accuracy, completeness, or suitability for any particular purpose and all liability for any loss, damage or costs incurred relating to the use of this information are excluded.

© Clover Pipelines Pty Ltd. All Rights Reserved. 2019