

PE RESTRAINT GATE VALVE



POLYETHYLENE PE100 & PE80 PIPELINE SYSTEMS



Clover resilient seated PE restrained end flexible joint gate valves comply with AS 2638.2 for use in pressure applications for water supply and sewerage.

FEATURES

- Provides axial thrust restraint when used on polyethylene pipe systems.
- Simple installation under all weather conditions, no polyethylene welding required.
- High strength and impact resistant body manufactured from ductile iron and EPDM encapsulated gate. Full bore design eliminates potential debris build up.
- High strength 431 Stainless steel spindle provides excellent corrosion resistance.
- Thermally bonded polymeric coating for long life corrosion protection.
- All valves are hydrostatically factory tested and certified.

APPLICATIONS

Suitable for above and below ground potable, non potable and wastewater applications. This product provides axial thrust restraint for AS4130 PE100 & PE80 pipe systems. Consult your local Clover sales office for additional technical and installation details.

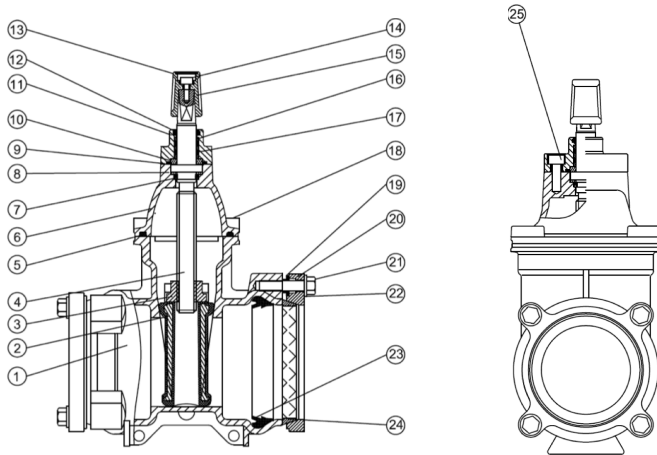
TECHNICAL DATA

Size Range:	DN90, DN125, DN180, DN250 & DN280
Allowable Operating Pressure:	1600kPa
Maximum Temperature:	40°
Connections:	Polyethylene AS4130 PE100 & PE100
Certifications	AS 2638.2 AS/NZS 4020 Product Licence OMK25731 WSAA Appraisal PA11/21

PE RESTRAINT GATE VALVE



POLYETHYLENE PE100 & PE80 PIPELINE SYSTEMS



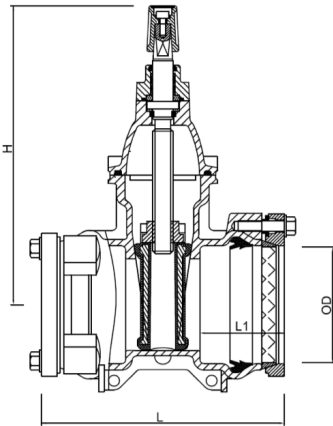
COMPONENTS

ITEM	PART NAME	MATERIAL
1	Body	Ductile iron Fusion coat AS4158
2	Gate	Ductile iron EPDM Encapsulated
3	Stem Nut	Aluminium Bronze
4	Spindle	431 Stainless Steel
5	Body Gasket	EPDM AS1646
6	Bonnet	Ductile iron Fusion coat AS4158
7	O'Ring	NBR AS1646
8	Thrust Washer	POM
9	Seal Kit	EPDM AS1646
10	Thrust Washer	Aluminium Bronze
11	Seal Retainer	316 Stainless Steel
12	Dust Cover	EPDM AS1646
13	Insert	Plastic
14	Key Cap Bolt	316 Stainless Steel
15	Key Cap	Ductile iron Fusion coat AS4158
16	Thrust Washer	POM
17	O'Ring	NBR AS1646
18	Body Bolt	316 Stainless Steel
19	Support Ring	PE
20	Span Ring	Ductile iron Fusion coat AS4158
21	Bolt	316 Stainless Steel
22	Washer	316 Stainless Steel
23	Seal	EPDM AS1646
24	Grip Ring	Aluminium Bronze
25	Bonnet Bolt	316 Stainless Steel

PE RESTRAINT GATE VALVE



POLYETHYLENE PE100 & PE80 PIPELINE SYSTEMS



SPECIFICATIONS

OD	L	L1	H	TURNS	KG	ACC	CC
90	245	88	290	17	13	VGGG090	VGGG090C
125	260	88	330	20	19	VGGG125	VGGG125C
180	355	118	420	30	33	VGGG180	VGGG180C
250	440	161	644	42	78	VGGG250	VGGG250C
280	460	165	644	42	96	VGGG280	VGGG280C

All dimensions are quoted in millimetres.
 Hand wheels, gearboxes, actuation, keys and spindle extensions available for all valves.
 Contact Clover for information on additional sizes not shown on this data sheet.

The products shown form part of Clover's continuous improvement program and as such the product designs, specifications and materials may change without notice.

All warranties relating to accuracy, completeness, or suitability for any particular purpose and all liability for any loss, damage or costs incurred relating to the use of this information are excluded.

© Clover Pipelines Pty Ltd. All Rights Reserved. 2019