

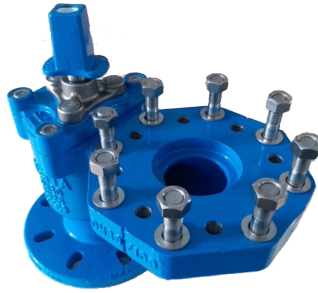
# ISOLATION VALVE - HYDRANT/AIR



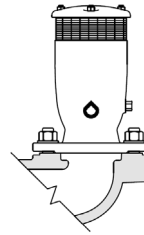
PVC, POLYETHYLENE, GRP, DUCTILE IRON & STEEL  
PIPELINE SYSTEMS



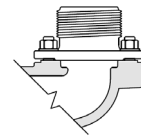
PN16



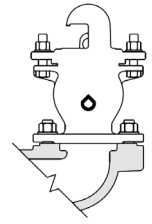
PN35



AIR VALVE



SCREWED  
OUTLET



SPRING  
HYDRANT

**Clover isolation valves provide isolation of hydrants and air valves for safe and easy maintenance.**

## FEATURES

- High strength and impact resistant ductile iron body.
- Thermally bonded polymeric coating for long life corrosion protection.
- Outlet flange to DN80 or DN100 AS 4087 Fig. B5 or B6
- Inlet flange universally slotted to DN80/100 AS 4087 Fig. B5 or B6.
- Versatile design suitable for a wide range of applications.

## APPLICATIONS

Isolation of hydrants and air valves for maintenance purposes. Suitable for above and below ground potable, non potable and wastewater applications.

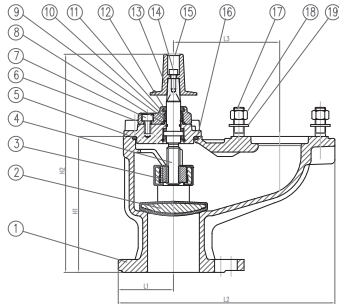
## TECHNICAL DATA

Size Range:	DN80-DN100
Allowable Operating Pressure:	1600kPa & 3500 kPa
Maximum Temperature:	Valve designed for use up to 70° For AS 4020 compliance, max temp = 40°C
Connections:	Flange AS4087 Fig B5 & B6
Certifications:	NZS4522 AS/NZS4020 AS/NZS4158 WSAA Appraisal PA18/17

# ISOLATION VALVE - HYDRANT/AIR



PVC, POLYETHYLENE, GRP, DUCTILE IRON & STEEL  
PIPELINE SYSTEMS



## COMPONENTS

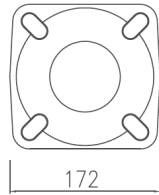
ITEM	PART NAME	MATERIAL
1	Body	Ductile iron Fusion coat AS4158
2	Stopper Core	Cast Iron
3	Stopper Rubber	EPDM AS1646
4	Stopper Nut	Aluminium Bronze
5	Stern	431 Stainless Steel
6	"O" Ring	NBR AS1646
7	Body Bonnet Bolt	316 Stainless Steel
8	Top Bonnet Bolt	316 Stainless Steel
9	"O" Ring	NBR AS1646
10	"O" Ring	NBR AS1646
11	Brushing	Aluminium Bronze
12	Spindle Seal Retainer	316 Stainless Steel
13	Dust Proof Cover	EPDM AS1646
14	Stem Cap	Ductile Iron Fusion Coat AS4158
15	Stem Cap Bolt	316 Stainless Steel
16	Plastic Cap	HDPE
17	Bonnet	Ductile iron Fusion coat AS4158
18	Stud Bolts	316 Stainless Steel
19	Washer	316 Stainless Steel
20	Hex Nut	316 Stainless Steel

# ISOLATION VALVE - HYDRANT/AIR

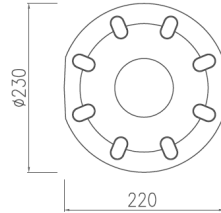


PVC, POLYETHYLENE, GRP, DUCTILE IRON & STEEL  
PIPELINE SYSTEMS

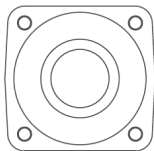
**INLET FLANGE**  
(DN80/DN100 AS4087-B5)



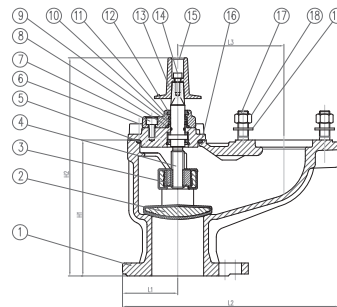
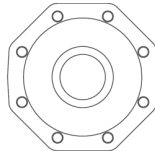
**INLET FLANGE**  
(DN80/DN100 AS4087-B6)



**OUTLET FLANGE**  
(DN80 OR DN100 AS4087-B5)



**OUTLET FLANGE**  
(DN80 OR DN100 AS4087-B6)



## PN16 - AS4087 FIG. B5

OUTLET	INLET	L1	L2	H1	H2	PCD	KG	ACC	CC
80	80/100	86	323	210	336	146	18	VHC080	VHC080C
100	100/100	86	336	210	336	178	20	VHC100	VHC100C

Flanges to AS4087 Fig B5 PN16

## PN35 - AS4087 FIG. B6

OUTLET	INLET	L1	L2	H1	H2	PCD	KG	ACC	CC
80	80	103	370	210	336	165	23	VHC080.35	VHC080C.35
100	100	115	395	210	336	191	27	VHC100.35	VHC100C.35

Flanges to AS4087 Fig B6 PN35

All dimensions are quoted in millimetres. All weights are approximate.

Spring hydrants, air valves and spindle extensions available for all valves.

The products shown form part of Clover's continuous improvement program and as such the product designs, specifications and materials may change without notice.

All warranties relating to accuracy, completeness, or suitability for any particular purpose and all liability for any loss, damage or costs incurred relating to the use of this information are excluded.

© Clover Pipelines Pty Ltd. All Rights Reserved. 2019