

INTEGRAL BYPASS GATE VALVE



DUCTILE IRON, GRP, STEEL, PVC & POLYETHYLENE
PIPELINE SYSTEMS



Clover's resilient seated integral bypass gate valves comply with AS2638.2 for pipeline isolation use in above and below ground pressure water supply and sewerage applications.

FEATURES

Bypass valves are used during the pipeline filling process to reduce the risk of damage to components and to equalize downstream pressure and reducing operating torque.

- High strength and impact resistant body manufactured from ductile iron and EPDM encapsulated gate.
- Full bore design eliminates any potential debris build up.
- Integral bypass valves provide a compact footprint and faster installation, reducing installation costs.
- Thermally bonded polymeric coating for long life corrosion protection.

APPLICATIONS

Suitable for above and below ground pressure water supply and sewerage applications.



INTEGRAL BYPASS GATE VALVE



DUCTILE IRON, GRP, STEEL, PVC & POLYETHYLENE
PIPELINE SYSTEMS

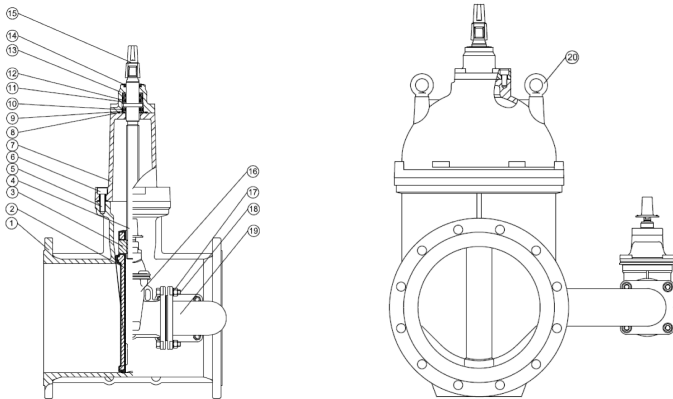
TECHNICAL DATA

Size Range:	DN375 x 100 DN450 x 100 DN600 x 150
Allowable Operating Pressure:	1600kPa
Maximum Temperature:	40°
Connections:	AS4087 Fig B5 Flange (others on request)
Mounting Flange:	1505211 Gearbox and/or actuation mounting
Certifications:	AS 2638.2 AS/NZS 4020 Product License OMK25731 WSAA Appraisal PA11/21

INTEGRAL BYPASS GATE VALVE



DUCTILE IRON, GRP, STEEL, PVC & POLYETHYLENE PIPELINE SYSTEMS



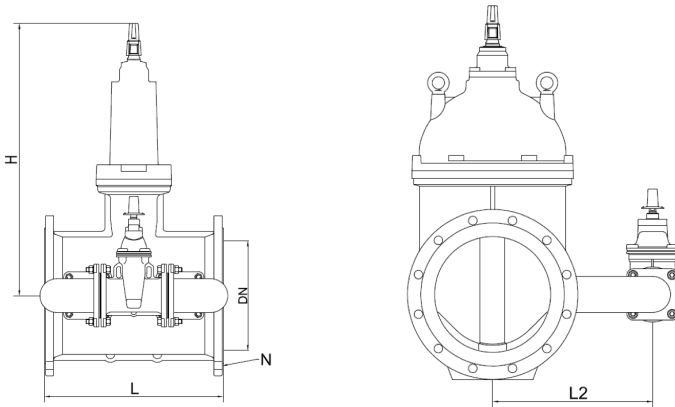
COMPONENTS

ITEM	PART NAME	MATERIAL
1	Body	Ductile Iron Fusion Coat AS4158
2	Gate	Ductile Iron EPDM Encapsulated
3	Stem Nut	Aluminium Bronze
4	Spindle	431 Stainless Steel
5	Body Gasket	EPDM AS1646
6	Bonnet	Ductile Iron Fusion Coat AS4158
7	Body Bolt	316 Stainless Steel
8	O'Ring	NBR AS1646
9	Thrust Collar	Aluminium Bronze
10	Bonnet Bolt	316 Stainless Steel
11	Thrust Collar	Aluminium Bronze
12	O'Ring	NBR AS1646
13	Seal Retainer	316 Stainless Steel
14	Dustproof Cover	EPDM AS1646
15	Key Cap	Ductile Iron Fusion Coat AS4158
16	Bypass Valve	According to AS2638.2
17	Nut & Washer	316 Stainless Steel
18	Bolts	316 Stainless Steel
19	Elbow	Ductile Iron Fusion Coat AS4158
20	Eyebolt	Galvanised Carbon Steel

INTEGRAL BYPASS GATE VALVE



DUCTILE IRON, GRP, STEEL, PVC & POLYETHYLENE PIPELINE SYSTEMS



SPECIFICATIONS

DN	BYPASS	H	L	L2	N	PCD	TURNS	KG	ACC	CC
375	100	935	610	516	12x26	495	55	275	VGFFB375	VGFFB375C
450	100	1080	650	555	12x26	584	58	565	VGFFB450	VGFFB450C
600	150	1345	785	835	16x30	756	68	830	VGFFB600	VGFFB600C

All dimensions are quoted in millimetres.

Valve and bypass valve are supplied with standard key cap fitted.

Hand wheels, gearboxes, actuation, keys and spindle extensions available for all valves.

Contact Clover for information on additional sizes not shown on this data sheets.

The products shown form part of Clover's continuous improvement program and as such the product designs, specifications and materials may change without notice.

All warranties relating to accuracy, completeness, or suitability for any particular purpose and all liability for any loss, damage or costs incurred relating to the use of this information are excluded.

© Clover Pipelines Pty Ltd. All Rights Reserved. 2019