

# GATE VALVE METAL SEAT



PVC, POLYETHYLENE, GRP, DUCTILE IRON &  
STEEL PIPELINE SYSTEMS



**Clover metal seated gate valves are manufactured to AS 2638.1 for use in above and below ground potable, non-potable and wastewater applications.**

## FEATURES

- High strength and impact resistant ductile iron body.
- Thermally bonded polymeric coating for long life corrosion protection.
- Cast in foot design for stability and safe and easy storage with fixed lifting devices for simple installation.
- Isolated stainless steel fasteners for corrosion protection.
- Can be installed in both vertical or horizontal positions.
- Available in both clockwise close (CC) and anti-clockwise close (ACC) configurations.

## APPLICATIONS

Suitable for above and below ground potable, non-potable and wastewater applications.

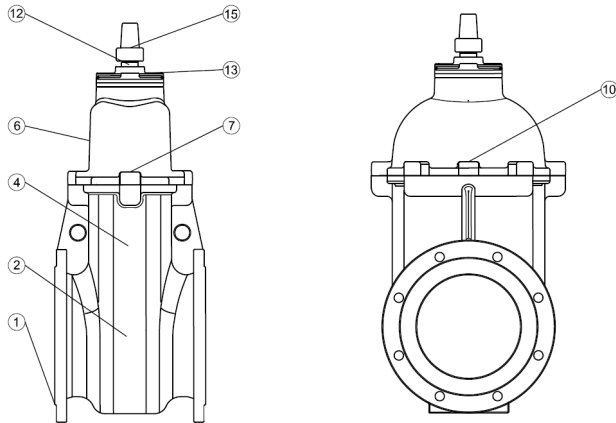
## TECHNICAL DATA

Size Range:	DN80 – DN1000
Allowable Operating Pressure:	1600kPa & 3500kPa
Maximum Temperature:	40°
Connections:	Flange AS4087 & AS2129 (Others on request)
Compliance:	AS 2638.1 AS/NZS4020 AS/NZS4158

# GATE VALVE METAL SEAT



PVC, POLYETHYLENE, GRP, DUCTILE IRON & STEEL PIPELINE SYSTEMS



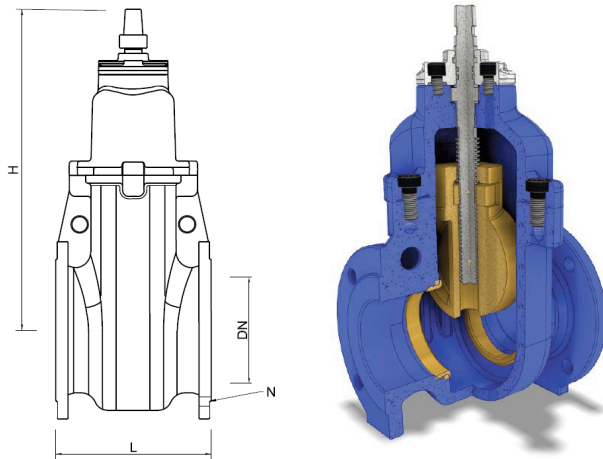
## COMPONENTS

ITEM	PART NAME	MATERIAL
1	Body	Ductile iron AS1831 Fusion coat AS4158
2	Bolts	SS ASTM A276-316
3	Body Gasket	EPDM AS1646
4	Cover	Ductile iron AS1831 Fusion coat AS4158
5	Gate	Gunmetal AS1565 C48600 (DN80-300)
		Ductile iron AS1831 Coated (DN375+)
6	Gate Rings	Gunmetal AS1565 83600 (DN375-1000)
7	Stem Nut	DR Brass AS1568 C48600
8	Spindle	SS ASTM A276-431
9	Seal Kit	EPDM AS1646
10	O'Ring	NBR
11	Thrust Washer	Ertalyte
12	Seal Retainer	SS A351 CF8M (DN80-200)
		Ductile iron AS1831 (DN225+)
13	Body Rings	Gunmetal AS1565 C48600
14	Gland Gasket	EPDM AS1646
15	Key Cap	Ductile iron AS1831 G500-7
16	Wiper Seal	NBR

# GATE VALVE METAL SEAT



PVC, POLYETHYLENE, GRP, DUCTILE IRON & STEEL PIPELINE SYSTEMS



## FLANGE PN16

DN	L	H	N	PCD	TURNS	KG	ACC	CC
80	203	366	4X18	146	24	35	VGFFM08016	VGFFM08016C
100	229	382	4X18	178	28	49	VGFFM10016	VGFFM10016C
150	267	487	8X18	235	29	79	VGFFM15016	VGFFM15016C
200	292	605	8X18	292	36	134	VGFFM20016	VGFFM20016C
225	305	618	8X18	324	36	168	VGFFM22516	VGFFM22516C
250	330	750	8X22	356	45	208	VGFFM25016	VGFFM25016C
300	380	835	12X22	406	53	290	VGFFM30016	VGFFM30016C
375	381	880	12X26	495	59	407	VGFFM37516	VGFFM37516C
400	470	1040	12X26	521	32	513	VGFFM40016	VGFFM40016C
450	432	1160	12X26	584	41	630	VGFFM45016	VGFFM45016C
500	510	1305	16X26	641	43	890	VGFFM50016	VGFFM50016C
600	570	1435	16X30	756	54	1373	VGFFM60016	VGFFM60016C
700	610	1645	20X30	845	79	2200	VGFFM70016	VGFFM70016C
750	610	1650	20X33	927	79	2400	VGFFM75016	VGFFM75016C
900	711	1867	24X36	1092	95	3600	VGFFM90016	VGFFM90016C
1000	811	2065	24X36	1175	108	5700	VGFFM100016	VGFFM100016C

Optional AS2129 Table E flanges also available.

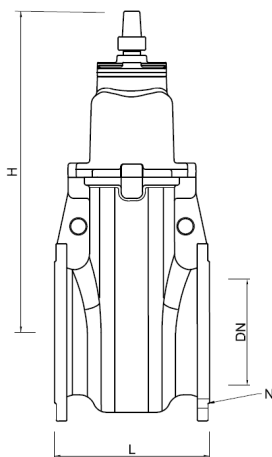
Flanges to AS4087 Fig B5 PN16.

Gearbox recommended DN300 and above.

# GATE VALVE METAL SEAT



PVC, POLYETHYLENE, GRP, DUCTILE IRON &  
STEEL PIPELINE SYSTEMS



## FLANGE PN35

DN	L	H	N	PCD	TURNS	KG	ACC	CC
80	280	380	8X18	165	24	39	VGFFM08035	VGFFM08035C
100	305	382	8X18	191	28	56	VGFFM10035	VGFFM10035C
150	330	487	12X22	260	29	98	VGFFM15035	VGFFM15035C
200	380	605	12X22	324	36	154	VGFFM20035	VGFFM20035C
225	405	618	12X26	356	36	193	VGFFM22535	VGFFM22535C
250	420	750	12X26	381	45	234	VGFFM25035	VGFFM25035C
300	430	835	16X26	438	53	354	VGFFM30035	VGFFM30035C
375	610	880	16X30	521	59	448	VGFFM37535	VGFFM37535C
400	610	1040	20X30	552	32	527	VGFFM40035	VGFFM40035C
450	660	1160	20X33	610	41	757	VGFFM45035	VGFFM45035C
500	710	1305	24X33	673	43	1100	VGFFM50035	VGFFM50035C
600	785	1435	24X36	781	54	1543	VGFFM60035	VGFFM60035C
700	900	1645	24X36	857	79	2610	VGFFM70035	VGFFM70035C
750	950	1650	28X36	940	79	2800	VGFFM75035	VGFFM75035C

Flanges to AS4087 Fig B5 PN16.

Gearbox recommended DN300 and above.

All dimensions are quoted in millimetres. All weights are approximate and do not include gearboxes, actuators or accessories. Hand wheels, gearboxes, actuation, keys and spindle extensions available for all valves.

Contact Clover for information on additional sizes not shown on this data sheet.

The products shown form part of Clover's continuous improvement program and as such the product designs, specifications and materials may change without notice.

All warranties relating to accuracy, completeness, or suitability for any particular purpose and all liability for any loss, damage or costs incurred relating to the use of this information are excluded.

© Clover Pipelines Pty Ltd. All Rights Reserved. 2019