

GATE VALVE METAL SEAT



PVC, POLYETHYLENE, GRP, DUCTILE IRON &
STEEL PIPELINE SYSTEMS



Clover metal seated gate valves are manufactured to AS 2638.1 for use in above and below ground potable, non-potable and wastewater applications.

FEATURES

- High strength and impact resistant ductile iron body.
- Thermally bonded polymeric coating for long life corrosion protection.
- Cast in foot design for stability and safe and easy storage with fixed lifting devices for simple installation.
- Available in both clockwise close (CC) and anti-clockwise close (ACC) configurations.

APPLICATIONS

Suitable for above and below ground potable, non-potable and wastewater applications.

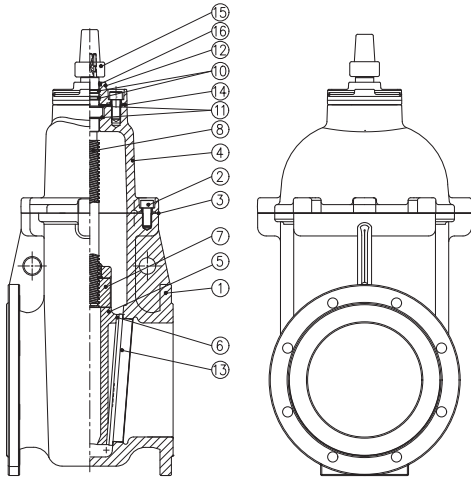
TECHNICAL DATA

| | |
|-------------------------------|---|
| Size Range: | DN80 – DN1000 |
| Allowable Operating Pressure: | 1600kPa & 3500kPa |
| Maximum Temperature: | 40° |
| Connections: | Flange AS4087 & AS2129 (Others on request) |
| Compliance: | AS 2638.1 AS/NZS4020 AS/NZS4158 |

GATE VALVE METAL SEAT



PVC, POLYETHYLENE, GRP, DUCTILE IRON & STEEL PIPELINE SYSTEMS



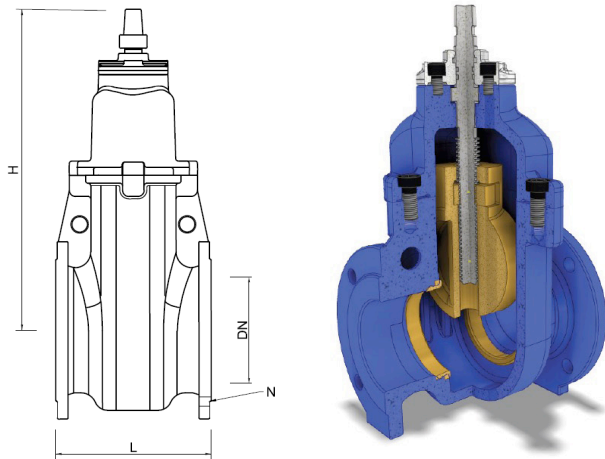
COMPONENTS

| ITEM | PART NAME | MATERIAL |
|------|---------------|--|
| 1 | Body | Ductile iron Fusion coat AS4158 |
| 2 | Bolts | PN16 - 316 Stainless Steel PN35 - HT Carbon Steel Gal |
| 3 | Body Gasket | EPDM AS1646 |
| 4 | Cover | Ductile iron Fusion coat AS4158 |
| 5 | Gate | Gunmetal (DN80-300) Ductile iron Coated (DN375+) |
| 6 | Gate Rings | Gunmetal (DN375-1000) |
| 7 | Stem Nut | DR Brass |
| 8 | Spindle | PN16 - 316 Stainless Steel PN35 - 431 Stainless Steel |
| 9 | Seal Kit | EPDM AS1646 |
| 10 | O'Ring | NBR |
| 11 | Thrust Washer | Ertalyte |
| 12 | Seal Retainer | 316 Stainless Steel (DN80-200) Ductile iron with Gunmetal Sleeve or 316 Stainless Steel (DN225+) |
| 13 | Body Rings | Gunmetal |
| 14 | Gland Gasket | EPDM AS1646 |
| 15 | Key Cap | Ductile iron |
| 16 | Wiper Seal | NBR |

GATE VALVE METAL SEAT



PVC, POLYETHYLENE, GRP, DUCTILE IRON & STEEL PIPELINE SYSTEMS



FLANGE PN16

| DN | L | H | N | PCD | TURNS | KG | ACC | CC |
|------|-----|------|-------|------|-------|------|-------------|--------------|
| 80 | 203 | 366 | 4X18 | 146 | 24 | 35 | VGFFM08016 | VGFFM08016C |
| 100 | 229 | 382 | 4X18 | 178 | 28 | 49 | VGFFM10016 | VGFFM10016C |
| 150 | 267 | 487 | 8X18 | 235 | 29 | 79 | VGFFM15016 | VGFFM15016C |
| 200 | 292 | 605 | 8X18 | 292 | 36 | 134 | VGFFM20016 | VGFFM20016C |
| 225 | 305 | 618 | 8X18 | 324 | 36 | 168 | VGFFM22516 | VGFFM22516C |
| 250 | 330 | 750 | 8X22 | 356 | 45 | 208 | VGFFM25016 | VGFFM25016C |
| 300 | 380 | 835 | 12X22 | 406 | 53 | 290 | VGFFM30016 | VGFFM30016C |
| 375 | 381 | 880 | 12X26 | 495 | 59 | 407 | VGFFM37516 | VGFFM37516C |
| 400 | 470 | 1040 | 12X26 | 521 | 32 | 513 | VGFFM40016 | VGFFM40016C |
| 450 | 432 | 1160 | 12X26 | 584 | 41 | 630 | VGFFM45016 | VGFFM45016C |
| 500 | 510 | 1305 | 16X26 | 641 | 43 | 890 | VGFFM50016 | VGFFM50016C |
| 600 | 570 | 1435 | 16X30 | 756 | 54 | 1373 | VGFFM60016 | VGFFM60016C |
| 700 | 610 | 1645 | 20X30 | 845 | 79 | 2200 | VGFFM70016 | VGFFM70016C |
| 750 | 610 | 1650 | 20X33 | 927 | 79 | 2400 | VGFFM75016 | VGFFM75016C |
| 900 | 711 | 1867 | 24X36 | 1092 | 95 | 3600 | VGFFM90016 | VGFFM90016C |
| 1000 | 811 | 2065 | 24X36 | 1175 | 108 | 5700 | VGFFM100016 | VGFFM100016C |

Optional AS2129 Table E flanges also available.

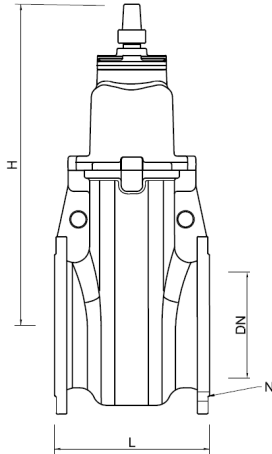
Flanges to AS4087 Fig B5 - PN16.

Gearbox recommended DN300 and above.

GATE VALVE METAL SEAT



PVC, POLYETHYLENE, GRP, DUCTILE IRON &
STEEL PIPELINE SYSTEMS



FLANGE PN35

| DN | L | H | N | PCD | TURNS | KG | ACC | CC |
|-----|-----|------|-------|-----|-------|------|------------|-------------|
| 80 | 280 | 380 | 8X18 | 165 | 24 | 39 | VGFFM08035 | VGFFM08035C |
| 100 | 305 | 382 | 8X18 | 191 | 28 | 56 | VGFFM10035 | VGFFM10035C |
| 150 | 330 | 487 | 12X22 | 260 | 29 | 98 | VGFFM15035 | VGFFM15035C |
| 200 | 380 | 605 | 12X22 | 324 | 36 | 154 | VGFFM20035 | VGFFM20035C |
| 225 | 405 | 618 | 12X26 | 356 | 36 | 193 | VGFFM22535 | VGFFM22535C |
| 250 | 420 | 750 | 12X26 | 381 | 45 | 234 | VGFFM25035 | VGFFM25035C |
| 300 | 430 | 835 | 16X26 | 438 | 53 | 354 | VGFFM30035 | VGFFM30035C |
| 375 | 610 | 880 | 16X30 | 521 | 59 | 448 | VGFFM37535 | VGFFM37535C |
| 400 | 610 | 1040 | 20X30 | 552 | 32 | 527 | VGFFM40035 | VGFFM40035C |
| 450 | 660 | 1160 | 20X33 | 610 | 41 | 757 | VGFFM45035 | VGFFM45035C |
| 500 | 710 | 1305 | 24X33 | 673 | 43 | 1100 | VGFFM50035 | VGFFM50035C |
| 600 | 785 | 1435 | 24X36 | 781 | 54 | 1543 | VGFFM60035 | VGFFM60035C |
| 700 | 900 | 1645 | 24X36 | 857 | 79 | 2610 | VGFFM70035 | VGFFM70035C |
| 750 | 950 | 1650 | 28X36 | 940 | 79 | 2800 | VGFFM75035 | VGFFM75035C |

Flanges to AS4087 Fig B6 - PN35.

Gearbox recommended DN300 and above.

All dimensions are quoted in millimetres. All weights are approximate and do not include gearboxes, actuators or accessories. Hand wheels, gearboxes, actuation, keys and spindle extensions available for all valves.

Contact Clover for information on additional sizes not shown on this data sheet.

The products shown form part of Clover's continuous improvement program and as such the product designs, specifications and materials may change without notice.

All warranties relating to accuracy, completeness, or suitability for any particular purpose and all liability for any loss, damage or costs incurred relating to the use of this information are excluded.

© Clover Pipelines Pty Ltd. All Rights Reserved. 2019