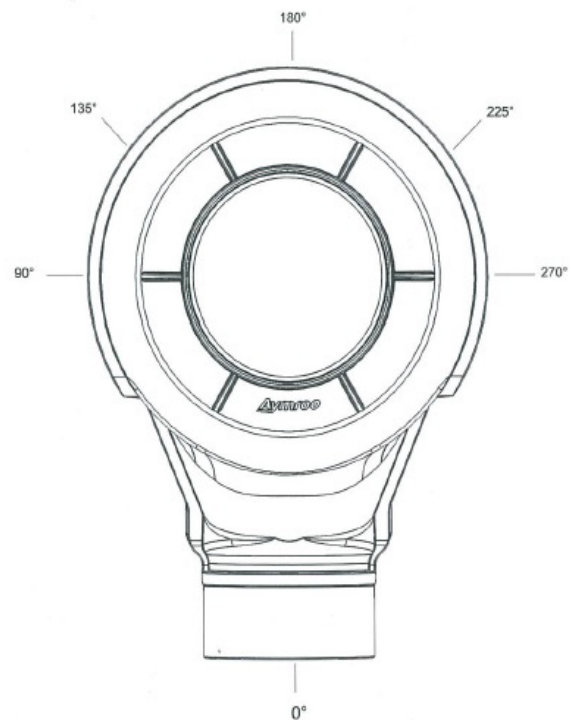


# CENTRAL AXIS MAINTENANCE SHAFT PRODUCTION SHEET

Project Details	
Drawing No.	
MS Reference	
Line No.	
Chainage	

Inlet 1	
DN	
Connection	
+ Deflection °	
~ Grade %	
* Invert Height (mm)	

Inlet 2	
DN	
Connection	
+ Deflection °	
~ Grade %	
* Invert Height (mm)	



Mark Inlet Deflections

+ Inlet deflections 80-280°
~ Inlet grades 1-15%
* Invert height minimum 30mm above outlet.

Outlet	
DN	
Connection	
Deflection °	0 °
Grade %	1%
* Invert Height (mm)	0mm

Clover maintenance shafts are made to order items and are strictly non-returnable. All sales are subject to Clover Pipelines standard terms and conditions of sale.